

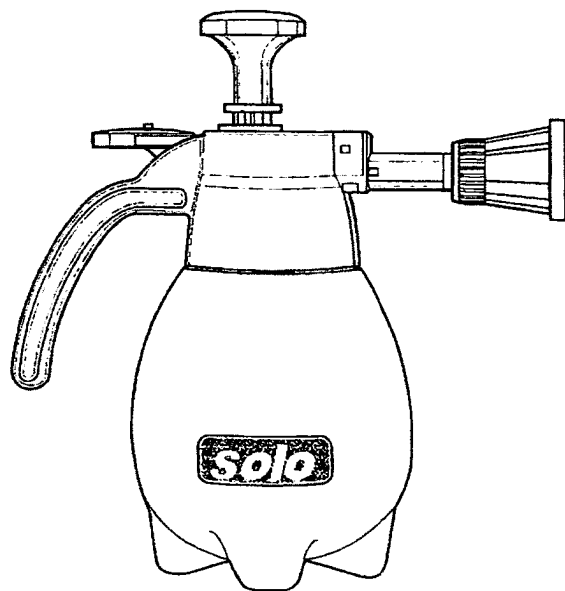
LIMITED WARRANTY

Solo warrants the sprayer for a period of 6 months from the date of purchase. Within the specified warranty period, Solo will repair all defects in workmanship or material at no cost. However, Solo reserves the right to replace the unit, in part or whole at our option. Return freight, packing and insurance costs, if any, will be borne by the owner.

The warranty does not cover damages caused by non-compliance with operating instructions, use of improper spraying liquids, unauthorized servicing or modifications to the sprayer.

solo[®]

Operator's Manual
Model 418-1L, 418-2L,
419-1L, 419-2L & 420-2L



CAUTION: Before using this product, read this manual and follow all Safety Warnings and Operating Instructions.

Model Number : 418-1L , 418-2L
419-1L , 419-2L
420-2L

Date of Purchase: _____
Record the date of purchase and keep this manual and purchase receipt in a safe place for future reference.

SAFETY WARNINGS AND INSTRUCTIONS

- Read the owner's manual carefully. Become familiar with the controls and know how to operate your sprayer.
- **Do not use acid, caustic or potentially injurious chemicals.**
- Do not fill or spray flammable materials.
- Do not use liquids with temperatures above 120°F (45°C).
- Do not use disinfectants, solvents or impregnating agents unless first tested to ensure they are not harmful to the environment or sprayer.
- Never spray in the direction of humans, animals or property that might be injured or damaged by spray formula. Do not allow children to use your sprayer. Never allow adults to use the sprayer without proper instruction.
- Keep the treatment area free of people and pets, especially small children.
- Use the sprayer only as described in this manual.
- Do not operate sprayer if it has been dropped or damaged in any manner. Always have damage repaired before use.
- Do not use accessory attachments that are not recommended by the manufacturer. Use of such attachments may be hazardous.

WARNING

Chemicals can be harmful to individuals or the environment if improperly used. In addition, some chemicals are caustic, corrosive or poisonous and should be avoided. Read warnings and chemical manufacturer's instructions. Solo high-density polyethylene sprayers have seals which are resistant to a wide variety of agricultural and household chemicals; however, care should be exercised to insure that components are clean, functioning properly and in a good state of repair before and during use. If in doubt about a particular chemical, check with manufacturer of that chemical. If you suspect or observe indications that the material may be unsafe in the Solo sprayer...**STOP. DO NOT USE OR APPLY CHEMICAL.** Always wear proper protective clothing such as chemically resistant gloves, eye and face protection and other equipment as necessary and/or recommended by the chemical manufacturer.

OPERATING INSTRUCTIONS

- Whenever possible, mix formula in a suitable container and then fill the sprayer. When mixing inside the bottle, first pour the recommended amount of chemical into the bottle, then fill with the desired amount of water or follow chemical manufacturer's instructions.
- Re-install the pump assembly – turn clockwise to tighten.
- Pump the handle approximately 30 strokes to pressurize the bottle.
- Depress the trigger to discharge liquid.
- The trigger can be locked in the "on" position by first depressing the trigger and then by pushing the lock button down and forward.
- To release the lock button, slide backward (away from the pump knob).
- **ADJUSTING THE SPRAY PATTERN** – the spray pattern can be adjusted by turning the

outermost spray nozzle. To adjust to a straight stream – turn counterclockwise. To adjust to a mist pattern – turn clockwise.

WARNING...After use, slowly release any pressure remaining in the sprayer. Place the base of the sprayer on a level surface, grip the pump base and slowly turn the pump assembly counter-clockwise to vent compressed air. Avoid depressing the trigger as formula may discharge if under pressure. Alternately, the contents may be discharged into a proper storage container or the original formula container.

POSSIBLE USES

- Plant feeding and protection – The adjustable spray nozzle enables user to perform foliar feeding or to apply fungicides, herbicides and pesticides effectively.
- Herbicides – May be used to reduce pesky weeds and plants; however, **avoid** using the same sprayer for plant feeding and protection.
- Pest control – May be used to apply approved chemicals to deter or kill bugs indoors and out.
- Auto care – May be used to apply cleaners as well as rubber and vinyl preservatives. Do not use acid based wheel cleaners. Acids can be harmful to you and the sprayer.
- Indoor use – The sprayer may be used to apply detergents, vinegar, cleaning solutions, warm water (up to 120°F or 45°C) and other non-toxic household cleaning and maintenance liquids. Carpets, walls, glass, floors, ceilings and other surfaces can be treated. **Do not** use a sprayer that has previously been used with herbicides, pesticides or toxic chemicals for indoor use or for animal treatment.
- Outdoor use – Window cleaner, detergent, general purpose cleaning solutions, certain wood preservatives, waxes, water proofing and diluted household bleach are among the many things Solo sprayers can apply. **Avoid** using the sprayer for cleaning and other applications once it has been used for plant protection or herbicide spraying.

CLEANING

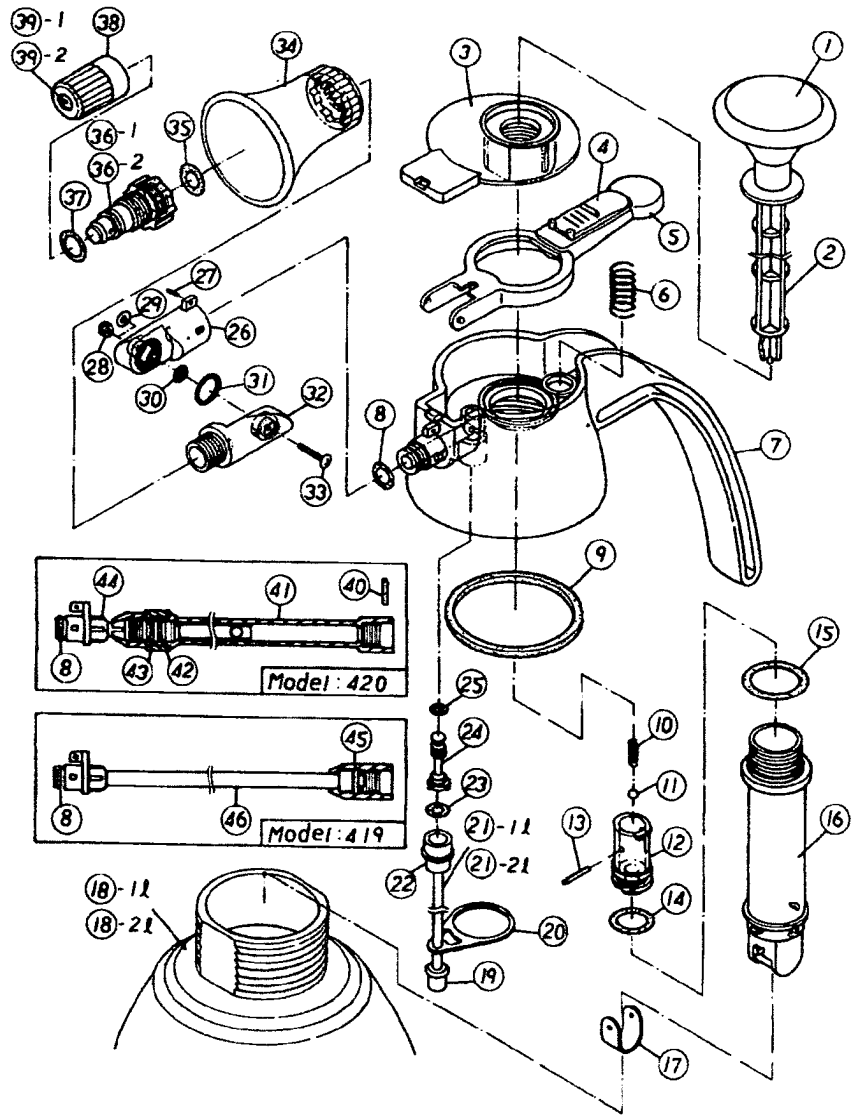
- Carefully clean sprayer after each use.
- A solution of 10% household bleach and 90% water can be helpful in cleaning the formula bottle and internal components when plant protection or herbicides are used. **DO NOT** mix cleaning solutions such as bleach and ammonia since harmful chemical reactions may result. Soap and water may also be used.
- Clean by flushing with water or water-bleach solution.
- Clean the screen at the end of the pick-up tube and the nozzle after each use.
- Follow the recommendations of the chemical manufacturer for disposing of wastewater and chemicals.
- Do not use aggressive cleaning components or abrasives.
- Dispose of cleaning materials properly.

MAINTENANCE

- Prior to storage, empty and clean the sprayer.
- Always store the sprayer in a dry area, protected from cold, heat and sunlight.
- Only use Solo original parts and see your Solo dealer in case of any problems. In the interest of technical progress, Solo reserves the right to change technical specifications without prior or other notice.

Spare Parts List - 418-1L, 418-2L, 419-1L, 419-2L & 420-2L Sprayer

Item #	Part #	Description	Qty.	Total
1	4181	Cover		
2	4182	Handle		
3	4183	Lid		
4	4184	Lock Button		
5	4185	Trigger		
6	4186	Spring		
7	4187	Pump Base		
8	4188	O-ring		
9	4189	Gasket		
10	41810	Spring		
11	41811	Ball		
12	41812	Relief Valve		
13	41813	Pin		
14	41814	O-ring		
15	41815	O-ring		
16	41816	Cylinder		
17	41817	Gasket		
18	41818-1L	1L Bottle		
18	41818-2L	2L Bottle		
19	41819	Filter		
20	41820	Plate		
21	41821-1L	1L Tube		
21	41821-2L	2L Tube		
22	41822	Adapter		
23	41823	O-ring		
24	41824	Shut-off Plug		
25	41825	O-ring		
26	41826	Connector		
27	41827	Pin		
28	41828	Nut		
29	41829	Washer		
30	41830	O-ring		
31	41831	O-ring		
32	41832	Connector		
33	41833	Screw		
34	41834	Cup		
35	41835	O-ring		
36	41836-1	Base		
36	41836-2	Base		
37	41837	O-ring		
38	41838	Retainer		
39	41839-1	Nozzle		
39	41839-2	Brass Nozzle		
40	42040	O-ring		
41	42041	Spray Wand		
42	42042	O-ring		
43	42043	O-ring		
44	42044	Metal Wand		
45	41945	O-ring		
46	41946-1L	1L Metal Wand		
46	41946-2L	2L Metal Wand		



#41836-2 Base(Available on brass nozzle-#41839-2)