



Operator's Manual & Parts List Contractor Industrial Sprayers: 378 and 388

STOP!

If you are missing parts, or have questions, **DO NOT** take this unit back to the store. Call 1-800-SOLO-INC. Solo will send the missing parts/information to you promptly.

WARRANTY:

Solo model 378 and 388 sprayers are covered by Solo's 1-YEAR LIMITED WARRANTY. Solo manufactured parts which fail due to defective material or workmanship will be repaired or replaced without charge. See page 3 for full details.

SAFETY PRECAUTIONS:

- Solo's Contractor Industrial Sprayers are manufactured for specific chemical applications. Failures to use these sprayers for the purposes and with the chemicals intended could be harmful to the operator and cause the sprayer to fail.
- Before adding chemicals, fill the unit with clean water, pressurize and check for proper assembly and operation. **CHECK PROPER OPERATION OF PRESSURE RELIEF VALVE PRIOR TO EACH USE!!**
- Do not exceed 45 psi pressure.
- Observe the recommendations of the chemical manufacturer.
- Prior to removing any part of the sprayer pull the pressure relief valve to release any pressure in the tank.
- Wear rubber gloves, safety goggles and appropriate protective clothing.
- After pumping be sure handle is in the locked down position.
- Individuals should be trained in the proper use of this sprayer. Where training is not available, individuals should study and follow the procedures detailed in this manual.



WARNING:

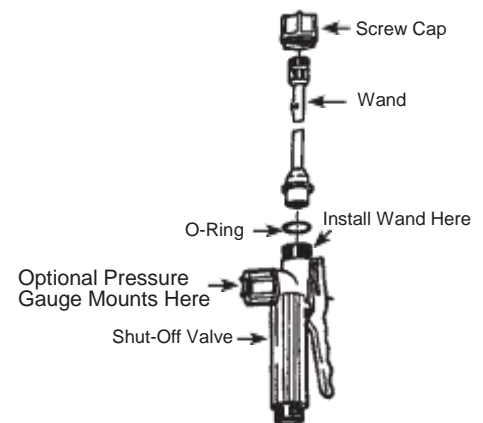
Chemicals can be harmful to individuals and the environment if improperly used. In addition, some chemicals are caustic, corrosive, or poisonous and should be avoided. Read warnings and chemical manufacturer's instructions. Solo high density polyethylene sprayers are fitted with chemically resistant seals which are matched to the specific chemicals used in the Contractor-Industrial trades; however, care should be exercised to ensure that sprayer components are clean, functioning properly, and in a good state of repair before and during use. If in doubt about a particular chemical, check with manufacturer. If you suspect or observe indications that the material may be unsafe in a Solo sprayer... **STOP! Do Not Use or Apply Chemical. ALWAYS WEAR RUBBER GLOVES, SAFETY GOGGLES**

AND APPROPRIATE PROTECTIVE CLOTHING.

- Read and follow operating instructions.
- Do not fill sprayer over maximum fill mark. Releasing pressure in an overfill condition can cause harmful venting of sprayer contents.
- Relieve pressure only with sprayer upright and while standing on the side of the sprayer opposite the pressure relief valve. Venting of sprayer contents can occur if liquid is over bottom of relief valve.
- **CAUTION:** To prevent injury from ejected pump assembly and/or solution, never stand with face or body over the top of the tank when pumping, or loosening pump.
- Do not modify sprayer or pressure relief valve.
- Never spray in the direction of humans, animals or property which might be injured or damaged by spray formula.
- Do not use liquids with a temperature above 120°F (45°C).
- Remember that a sprayer with liquid is a significant amount of weight (8 lbs. per gallon). Use caution when bending, leaning or walking. Bend only at the knees and support yourself as required to ensure personal safety.
- Do not inflate sprayer without liquid in the tank.
- Do not climb on ladders or other unsteady or potentially unsafe structures when operating your sprayer.

ASSEMBLY INSTRUCTIONS FOR WAND

1. Ensure that the O-ring is on the non-threaded end of the wand.
2. Insert the non-threaded end of the wand into the open end of the shut-off valve.
3. Tighten the screw cap.



CUSTOMER SERVICE COMMITMENT FROM SOLO'S SERVICE DEPARTMENT

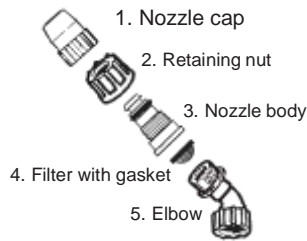
In the event the sprayer you have purchased has missing or damaged parts, please call 1-800-765-6462, 9:00 AM—5:00 PM EST. In order to assist your service representative, please have the following information available: sprayer model number, part description and part number. A parts list is included in your operator's manual.

Solo is committed to your satisfaction and is continuing its efforts to earn your future business.

Visit us on the web at www.us.solo.global
Troubleshooting and parts ordering available online.

USING THE ADJUSTABLE NOZZLE

To change the spraying pattern, first make sure the retaining nut (2) is screwed tight to the elbow (5). If it is not tight, the nozzle cap (1) and nozzle body (3) will rotate inside the retaining nut and the nozzle will not adjust. For a straight stream pattern, rotate the nozzle cap outward. For a hollow cone pattern, rotate the nozzle cap inward towards the retaining nut. If it becomes difficult to rotate the nozzle cap, remove the nozzle cap from the nozzle body and lubricate the O-ring on the nozzle body with a non-water-soluble grease*.



REMOVING ADJUSTABLE NOZZLE

Unscrew the nozzle cap (1) from the nozzle body (3). This is best accomplished while the retaining nut (2) is securely fastened to the elbow (5). Next, unscrew the retaining nut (2). Push the nozzle body (3) out of the retaining nut (2). To re-install the nozzle, reverse the above instructions.

OPERATION:

- Before using sprayer with chemicals, fill sprayer with fresh water to assure that you have it properly assembled; pressurize and then practice spraying. When thoroughly familiar with sprayer operation, follow normal operating procedures.
- Turn pump handle counter clockwise to remove pump.
- Fill tank with premixed formula up to desired level. (**Do not exceed maximum fill mark.**) Observe recommendations of chemical manufacturer.
- Tighten cap and pump assembly for a good seal.
- Pump to a maximum 45 psi or 3 bar pressure. The valve stem on the pressure relief valve will rise up to vent excess pressure over 45 psi.
- Start or stop spraying by squeezing or releasing the lever on the shut-off valve. The spray pressure can be monitored with an optional pressure gauge.
- Prior to every removal of pump, release pressure first by pulling up on the pressure relief valve stem.



CLEANING:

- Carefully clean sprayer after every use.
- Pour or spray all remaining chemical out of sprayer.
- Pour a small amount of water for water soluble chemicals, or mineral spirits for oil-based chemicals, into the tank.
- Pressurize and spray through system until all liquid is gone.
- Repeat process with warm soapy water.
- Repeat process with warm clear water.
- Use an absorbent cloth to dry all internal surfaces.
- Follow the recommendations of the chemical manufacturer for disposing of waste water and chemicals.
- Do not use aggressive or abrasive cleaning agents.

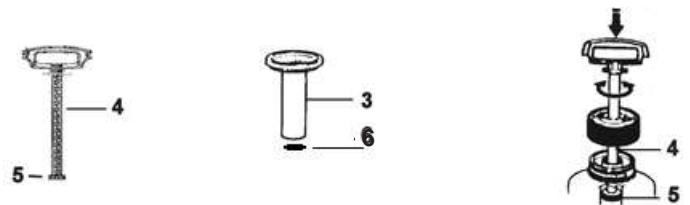
MAINTENANCE:

- Prior to storage, empty, clean and dry sprayer.
- Always store the sprayer in a dry area, protected from freezing, heat and sunlight.
- Lubricate O-ring in pressure relief valve with non-water-soluble grease (**Silicone grease for model 388**) on a regular basis.

Disassembly: Unscrew pressure relief valve from tank and pull the valve body out of the screw cap. Clean, lubricate, and replace.

- **Pump Maintenance:** Pump pressure sealing is accomplished with an O-ring (5) on the pump piston (4) which moves within the cylinder (3). Periodically this O-ring should be greased with a non-water-soluble grease (**Silicone Grease for model 388**). If worn, it should be replaced. A small umbrella valve (6) at the bottom of the cylinder prevents the formula from entering the cylinder. Keep these parts clean and replace if worn.

Disassembly: Unscrew pump assembly from tank. Carefully remove umbrella valve (6) from the bottom of cylinder (3). While holding cylinder firmly with one hand and the handle of the pump piston (4) firmly in the other, with the piston fully inserted in the cylinder, pull back on the piston quickly and forcefully. To re-assemble, place the piston assembly back into cylinder, place heel of hands on opposite sides of the tank cap, while keeping cylinder in place with fingers, tap bottom of cylinder against a flat padded surface. Assembly will lock into place.



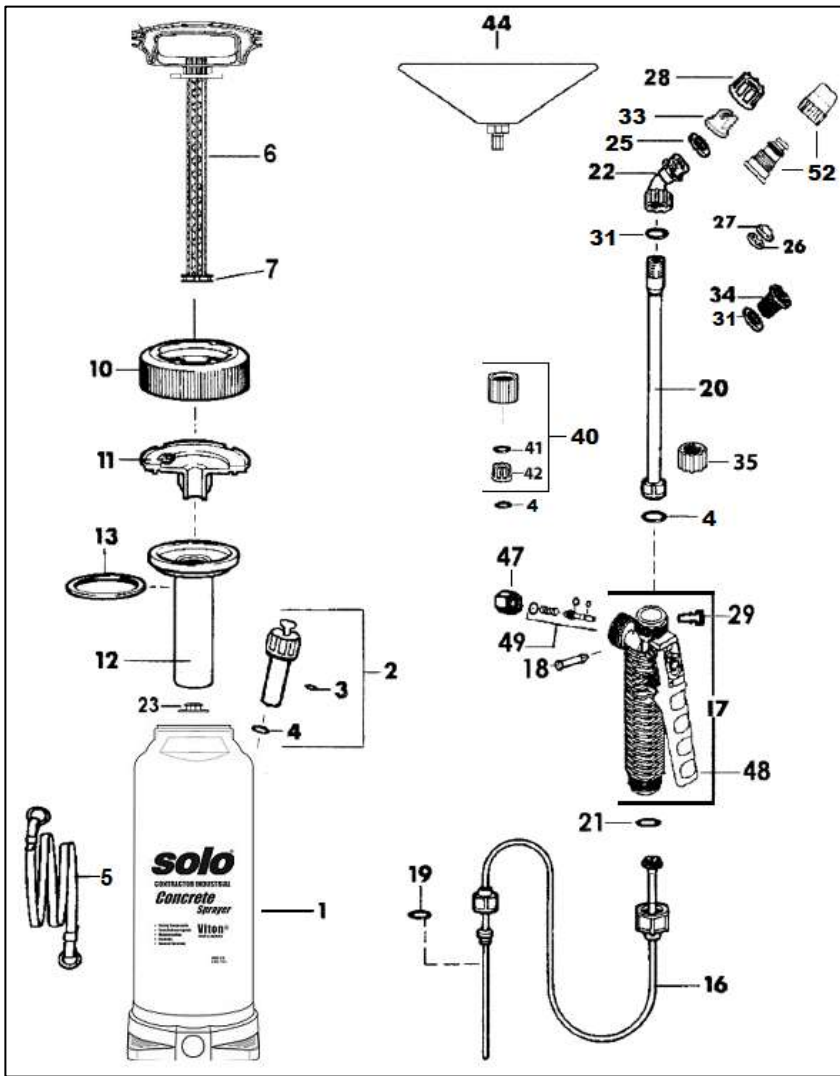
- **Tank Cap:** A small amount of non-water-soluble grease (**Silicone Grease for model 388**) on tank cap threads and the gasket eases tightening and loosening.
- **Regular Inspection:** Inspect and replace worn or damaged parts promptly. Pay particular attention to tank cap gasket, pressure relief valve and seal, inflation valve (if fitted), umbrella valve, O-rings and seals throughout sprayer. Regular lubrication of O-rings and seals is recommended. (**Silicone Grease for model 388**)

* **Solo Model 378 – Use Solo Superior Grease or petroleum jelly.**

* **Solo Model 388 – Use a Silicone based lubricant.**

378 PARTS BREAKDOWN

* Solo Model 378 – Use Solo Superior Grease or petroleum jelly.



Pos. No.	Order No.	For Model	Description
1	14763	378	Tank with base, 3 gallon
2	4800188		Pressure relief valve assy.
3	0062248	*	O-ring
4	0062356	*	O-ring
5	4300245		Carrying strap
6	407383517		Pump piston
7	0062149	*	O-ring
10	4073111		Tank cap, black
11	407438717		Cylinder support (requires 2)
12	4073834		Cylinder
13	4061346	*	Gasket, cap
16	4900515		Pressure hose assy. (incl. 19 & 21)
17	4800170		Shut-off valve assy.
18	4074295		Pin, retaining
19	0062148	*	O-ring
20	4900230		Wand assy. (incl. 4 & 35)
21	0062358		O-ring
22	4074527		Elbow
23	0094309	*	Umbrella valve
25	0062357		O-ring
26	4074756		Swirl plate
27	4074758		Jet cap nozzle
28	4074148		Retaining nut
29	4074329		Lock clip
31	0062359		O-ring
33	10F110		Flat fan nozzle (1gpm)
-	4074263		Flat fan nozzle (.4gpm)
35	4074337		Retaining nut
47	4074336		Retaining nut
48	4074335		Lever
49	0610402-K		Shut-off valve repair kit
52	4900527		Plastic adj. nozzle
-	17-559-1		Inflation valve, metal

Accessories

Pos. No.	Order No.	For Model	Description
*	4900407-K	378	Sprayer repair kit
34	2700316		No drip check valve
40	4900622		Pressure Gauge assy.
41	0062249		O-ring
42	4074338		Retaining nut
44	4900430		Drift guard
-	4900207		Brass adj. nozzle
-	0065210		Brass flat fan nozzle (.2gpm)
-	4400258	378	Complete pump (incl. 6,7,10-13,23)

* Included in Sprayer repair kit 4900407-K

Prices and technical specifications are subject to change without notice.

SOLO LIMITED WARRANTY

Solo Incorporated guarantees the original purchaser of Solo equipment, that any failure of Solo manufactured parts due to defects in material and workmanship occurring during the applicable warranty period will be repaired or replaced without charge for parts or labor, except for those items not covered by warranty.

CONSUMER LIMITED WARRANTY: Solo equipment purchased for consumer use is covered by this Limited Warranty for a period of ONE (1) YEAR.

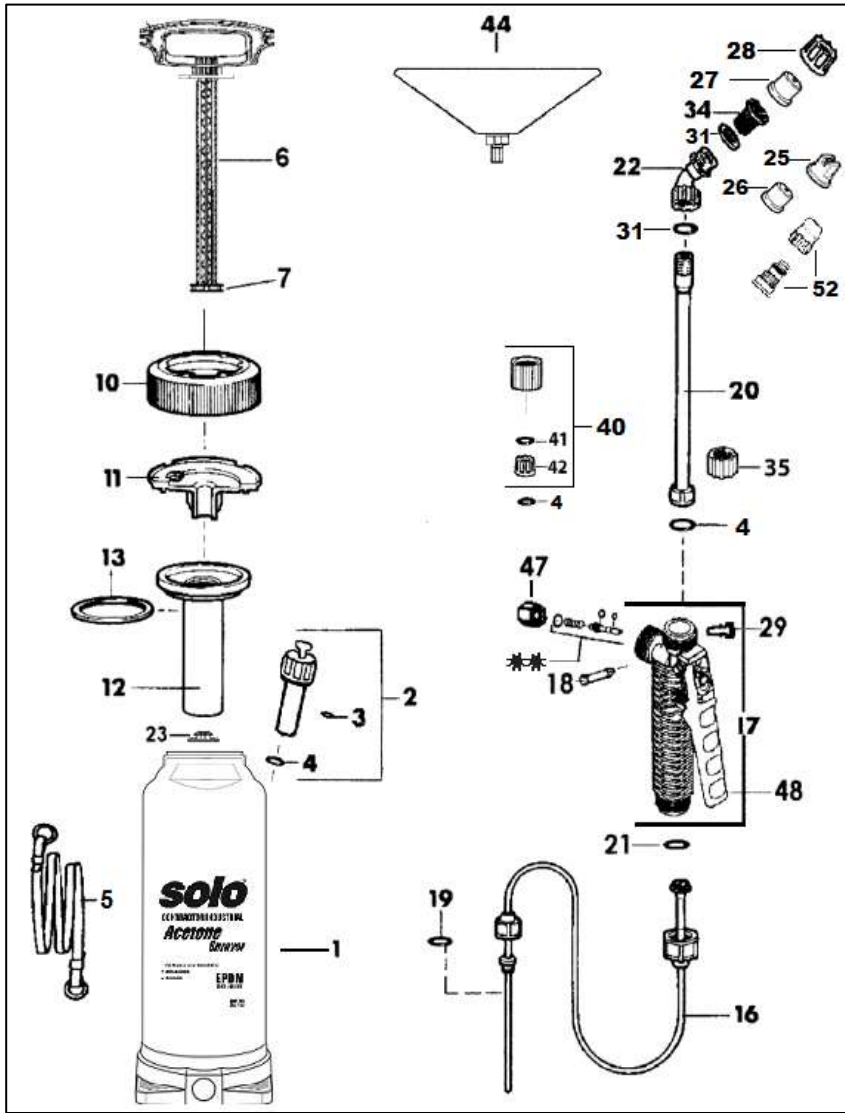
COMMERCIAL LIMITED WARRANTY: Solo equipment purchased for commercial use is covered by this Limited Warranty for a period of ONE (1) YEAR.

OPERATOR'S OBLIGATION AND RESPONSIBILITY: proof of purchase must be provided by the owner in order to obtain warranty service. Should any failure covered by this Limited Warranty occur, deliver or ship the Solo products or parts to an authorized Solo service center. Freight, packing and insurance costs, if any, will be borne by the owner. Follow normal maintenance service to include applicable lubrication*, operation and storage of the product as explained in the operator's manual.

ITEMS NOT COVERED BY WARRANTY: provisions of the Limited Warranty will not apply to the following: Any indirect or consequential damages that may result from the failure or malfunction of the Solo product. Normal service requirements arising during the warranty period, such as cleaning, normal wear, lubrication, filter, spray tips, etc. Normal service work over and above the repair or replacement of defective parts. Any failure that results from an accident, customer abuse, normal wear, neglect or failure to operate the product in accordance with the instructions provided in the operator's manual or provided with the product. When an alteration or modification has been performed on a Solo product, Solo is responsible only for products as originally furnished by Solo, provided the alterations or modifications do not adversely affect the product's operation, performance or durability. Parts or accessories that are incompatible with the product are not approved for use by Solo. Full disclosure of Solo's Limited Warranty is available from your local Solo dealer or Solo Incorporated, 201 Enterprise Drive, Newport News, Virginia 23603. This Limited Warranty gives you specific legal rights and you may also have other rights which vary by state.

388 PARTS BREAKDOWN

*Solo Model 388 – Use a Silicone based lubricant.



Pos. No.	Order No.	For Model	Description
1	14763	388	Tank with base, 3 gallon
2	4800186		Pressure relief valve assy.
3	0062365	*	O-ring
4	0062363	*	O-ring
5	4300245		Carrying strap
6	407383517		Pump piston
7	0062369	*	O-ring
10	4073111		Tank cap, black
11	407438717		Cylinder support (requires 2)
12	4073834		Cylinder
13	4061347	*	Gasket, cap
16	4900571	388	Pressure hose assy. (incl. 19 & 21)
17	4800245		Shut-off valve assy.
18	4074295		Pin, retaining
19	0062371	*	O-ring
20	4900421		Brass wand assy. (incl. 4 & 35)
21	0062364	*	O-ring
22	4074527		Elbow
23	0094352	*	Umbrella valve
25	CI-T P8005		Brass flat fan nozzle (.5gpm)
26	CI-T X-26		Brass hollow cone nozzle (.4gpm)
27	CI-T X-12		Brass hollow cone nozzle (.2gpm)
28	4074148		Retaining nut
29	4074329		Lock clip
31	0062368	*	O-ring
34	2700316		No drip check valve
35	4074337		Retaining nut
47	4074336		Retaining nut
48	4074335		Lever
52	4900527		Plastic adj. nozzle
-	17-559-1		Inflation valve, metal

Accessories

Pos. No.	Order No.	For Model	Description
*	4900406-K	388	Sprayer repair kit
40	4900622		Pressure Gauge assy.
41	0062249		O-ring
42	4074338		Retaining nut
44	4900430		Drift guard
-	4900207		Brass adj. nozzle
-	0065210		Brass flat fan nozzle (.2gpm)
-	4400259	388	Complete pump (incl. 6,7,10-13,23)

* Included in Sprayer repair kit 4900406-K

** Included in Shut-off valve assy. 4800245

Prices and technical specifications are subject to change without notice.

WARNING: Handling the brass parts of this product will expose you to lead, a chemical known by the State of California to cause cancer and birth defects or other reproductive harm. Wash hands after handling. For more information, go to www.P65Warnings.ca.gov.

Note: Always wear rubber gloves, safety goggles and appropriate protective clothing when repairing a sprayer. Once a repair is completed, fill the unit with clean water, pressurize, and check for leaks. If the sprayer leaks, **DO NOT USE**. Repair leaks and re-check.